

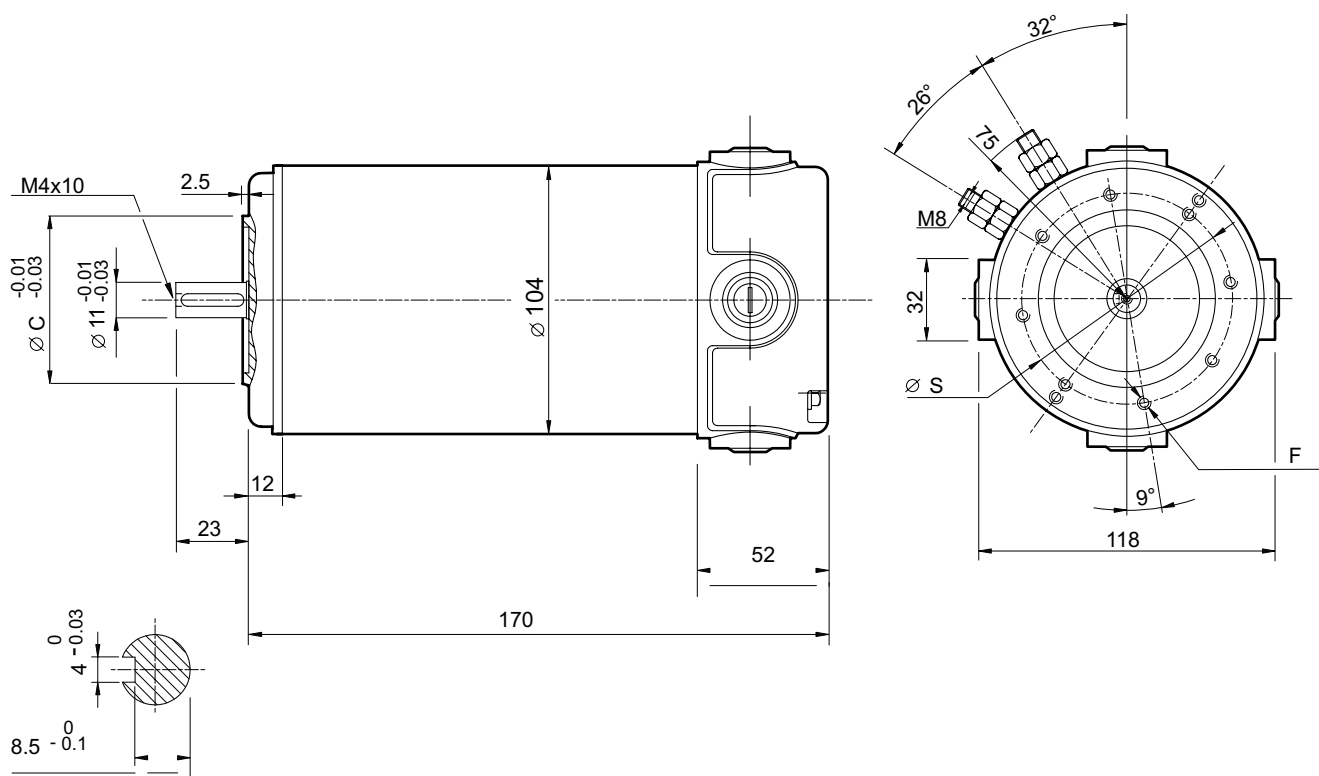
TTB-EC250.012 - TTB-EC250.024

Eigenschaften

Construction	Tubular, without fan
Size	Ø 104 mm
Power	350 W S2 (250 W S1)
Magnets	4
Bearings	Ball bearings
Mounting holes	8
Power supply	Low voltage, 12 or 24 Vdc
Brushes	4 inside brushes made of graphite/copper composite
Brushes size	LxPxH = 18.9 x 9.5 x 16.7 mm
Leads terminals	2, with double nut

Typo Type	S	Pn [W]	V [V]	I [A]	IC	FF	Mn [Nm]	n ₁ [min ⁻¹]	IP	Kg					
EC250.012	S1	250	12	30	F	1	0.8	3000	40	4.15					
	S2 25%	350		38.5			1.12								
EC250.024	S1	250	24	15			F				1	0.8	3000	40	4.15
	S2 25%	350		20.5								1.12			

Abmessungen



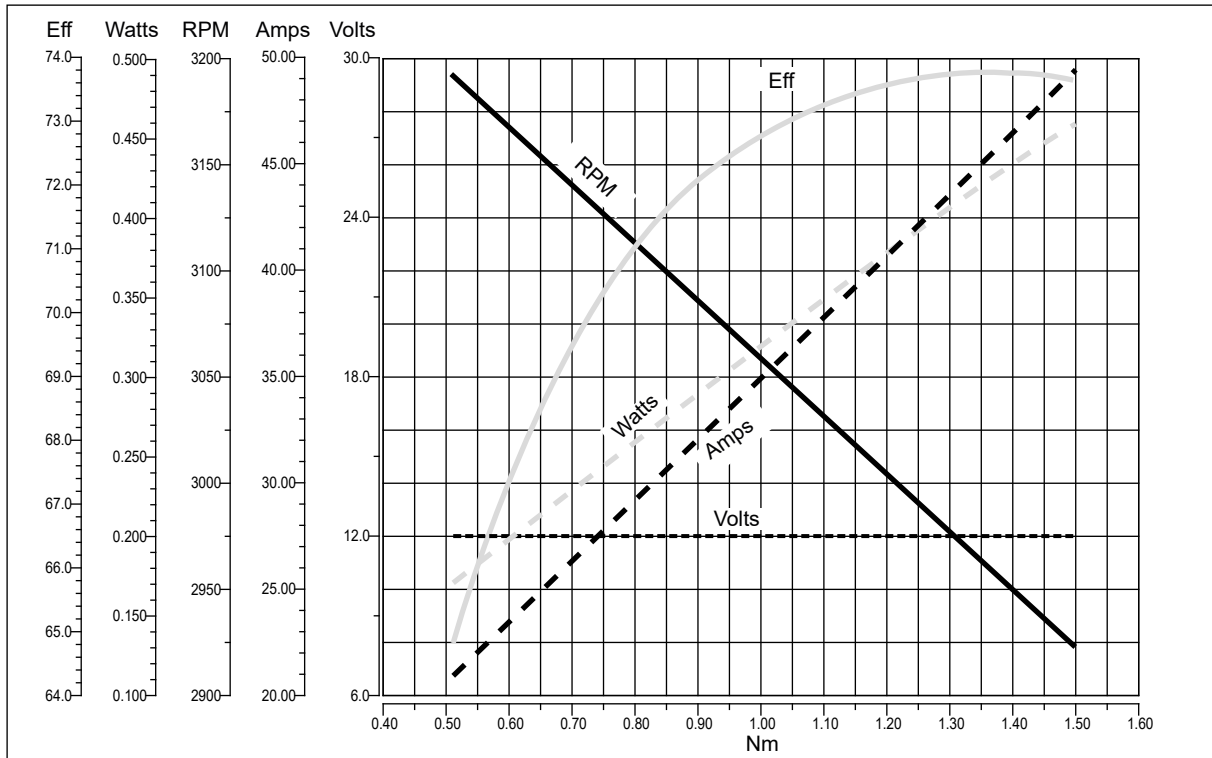
	63 B14	71 B14*
S	75	85
C (-0.03 / -0.01)	60	70
F	8 - M5	8 - M6

* Use sleeve 11/14

TTB-EC250.012 - TTB-EC250.024

Performance

TTB-EC250.012



TTB-EC250.024

