

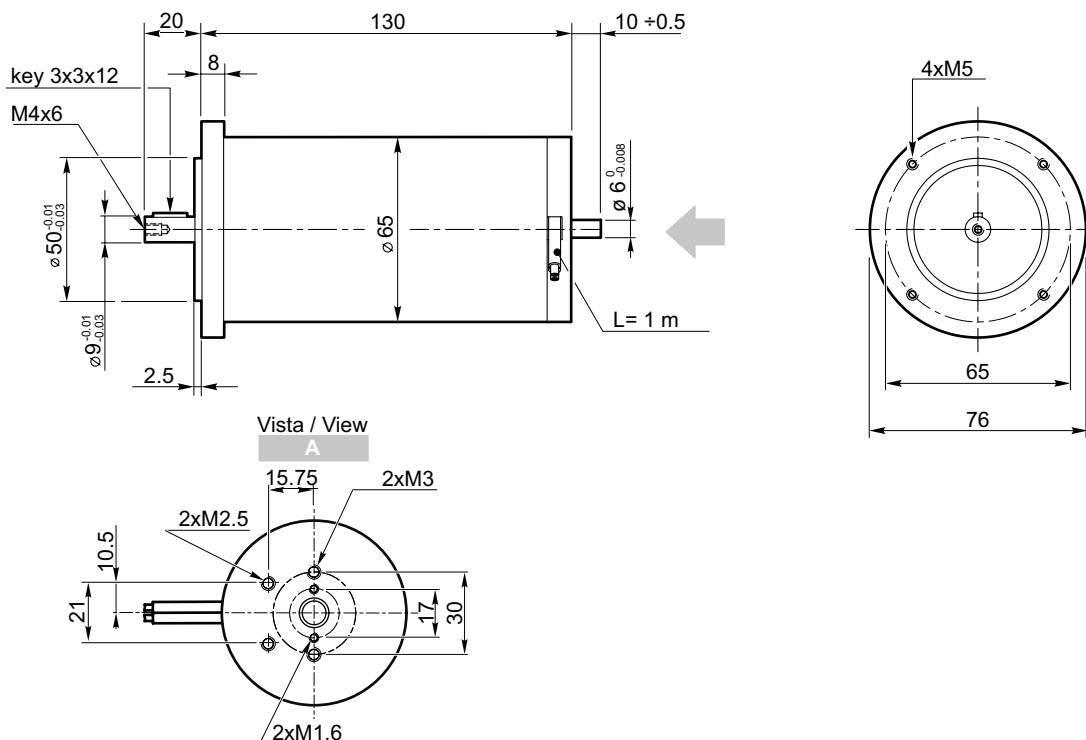
TTB-EC070.012-2W - TTB-EC070.024-2W

Eigenschaften

Construction	Tubular, without fan
Size	Ø 65 mm
Power	100 W S2
Magnets	2
Bearings	Ball bearings
Mounting holes	4
Power supply	Low voltage, 12 or 24 Vdc
Brushes	2 inside brushes made of graphite/copper composite
Electric cable	Length: 1000 mm

Typo Type	S	Pn [W]	V [V]	I [A]	IC	FF	Mn [Nm]	n ₁ [min ⁻¹]	IP	Kg
EC070.012-2W	S1	70	12	8.4	F	1	0.22	3000	20	1.7
	S2 30%	100		11.8			0.31			
EC070.024-2W	S1	70	24	4.2			0.22			
	S2 30%	100		5.9			0.31			

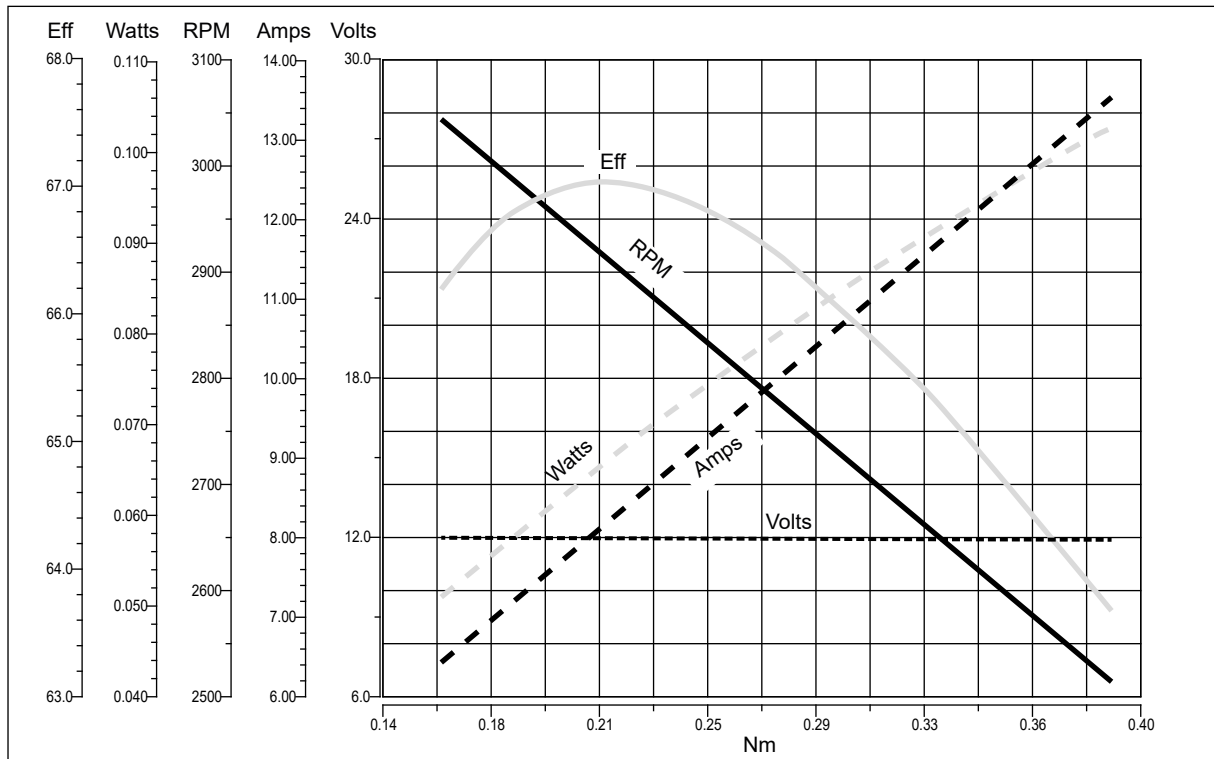
Abmessungen



TTB-EC070.012-2W - TTB-EC070.024-2W

Performance

TTB-EC070.012



TTB-EC070.024

