

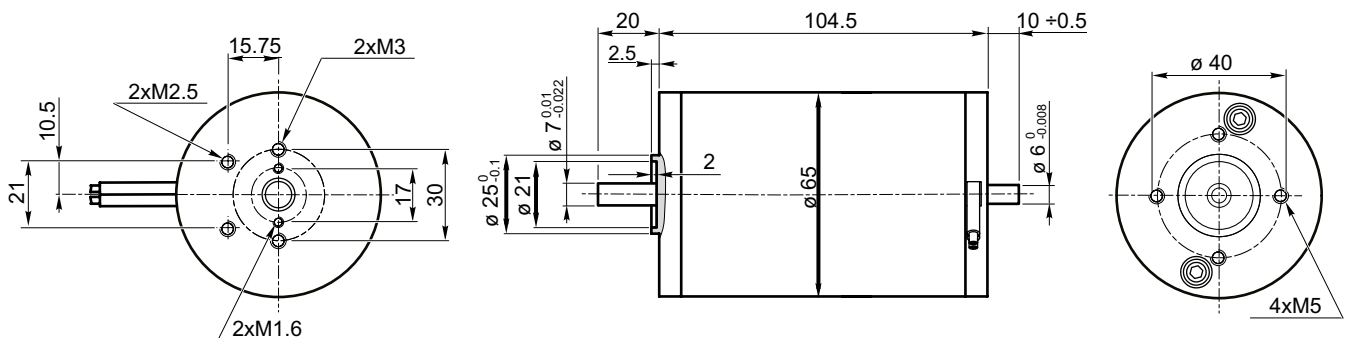
TTB-EC050.012-2W - TTB-EC050.024-2W

Eigenschaften

Construction	Tubular, without fan
Size	Ø 65 mm
Power	70 W S2 (50 W S1)
Magnets	2
Bearings	Ball bearings
Mounting holes	4
Power supply	Low voltage, 12 or 24 Vdc
Brushes	2 inside brushes made of graphite/copper composite
Electric cable	Length: 200 mm
Rear Shaft	Standard

Tipo Type	S	Pn [W]	V [V]	I [A]	IC	FF	Mn [Nm]	n ₁ [min ⁻¹]	IP	Kg
EC050.12-2W	S1	50	12	6.5	F	1	0.16	3000	20	1.2
	S2 30%	70		9.0			0.22			
EC050.024-2W	S1	50	24	3.2			0.16			
	S2 30%	70		4.5			0.22			

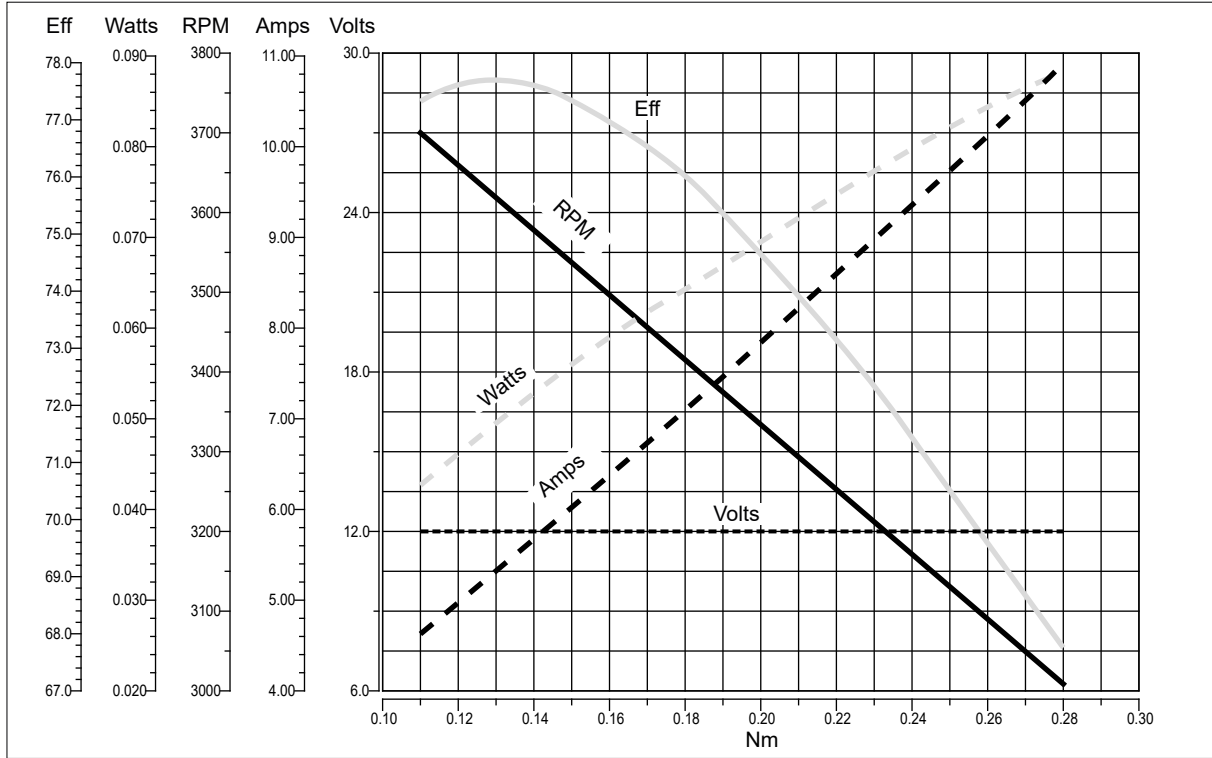
Abmessungen



TTB-EC050.012-2W - TTB-EC050.024-2W

Performance

TTB-EC050.012



TTB-EC050.024

