

TTB-EC020.012 - TTB-EC020.024-2W

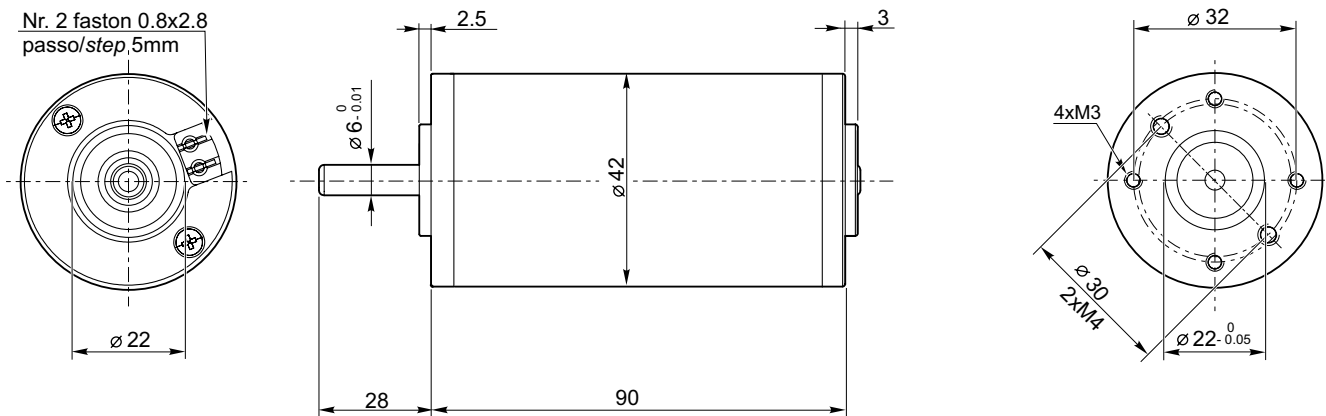
Eigenschaften

Construction	Tubular, without fan
Size	Ø 42 mm
Power	30 W S2 (20 W S1)
Magnets	2
Bearings	Ball bearing
Mounting holes	4
Power supply	Low voltage, 12 or 24 Vdc
Brushes	2 brushes made of graphite/copper composite
Electric cable	Faston terminals (0.8 x 2.8 mm)
Options	EMC filter
	Magnetic encoder max 2 ppr, Max. 2 channels

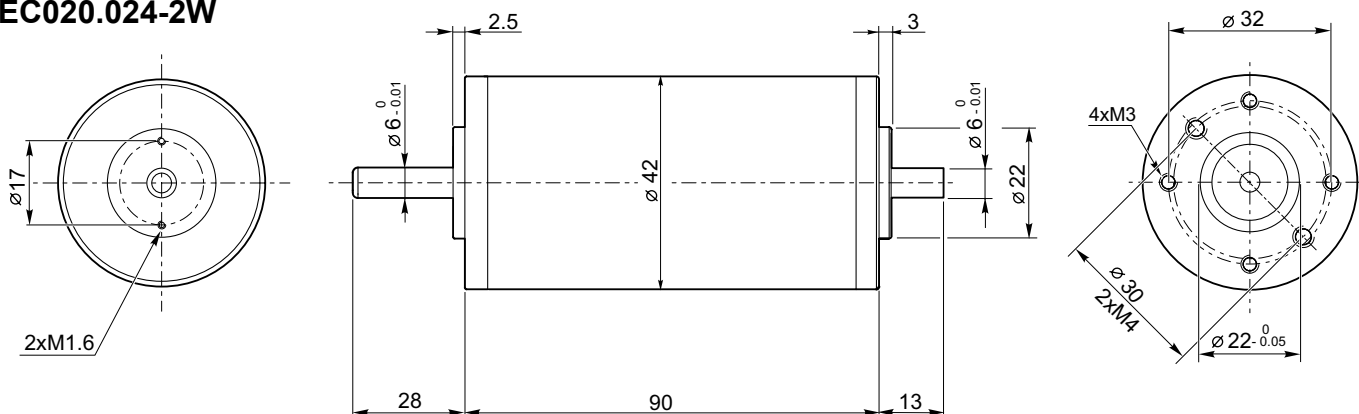
Typo Type	S	Pn [W]	V [V]	I [A]	IC	FF	Mn [Nm]	n ₁ [min ⁻¹]	IP	Kg
EC020.012	S1	20	12	2.6	B	1	0.06	2850	20	0.4
	S2 6%	30		3.5			0.08			
EC020.024-2W	S1	20	24	1.4			0.06			
	S2 6%	30		1.9			0.08			

Abmessungen

EC020.012



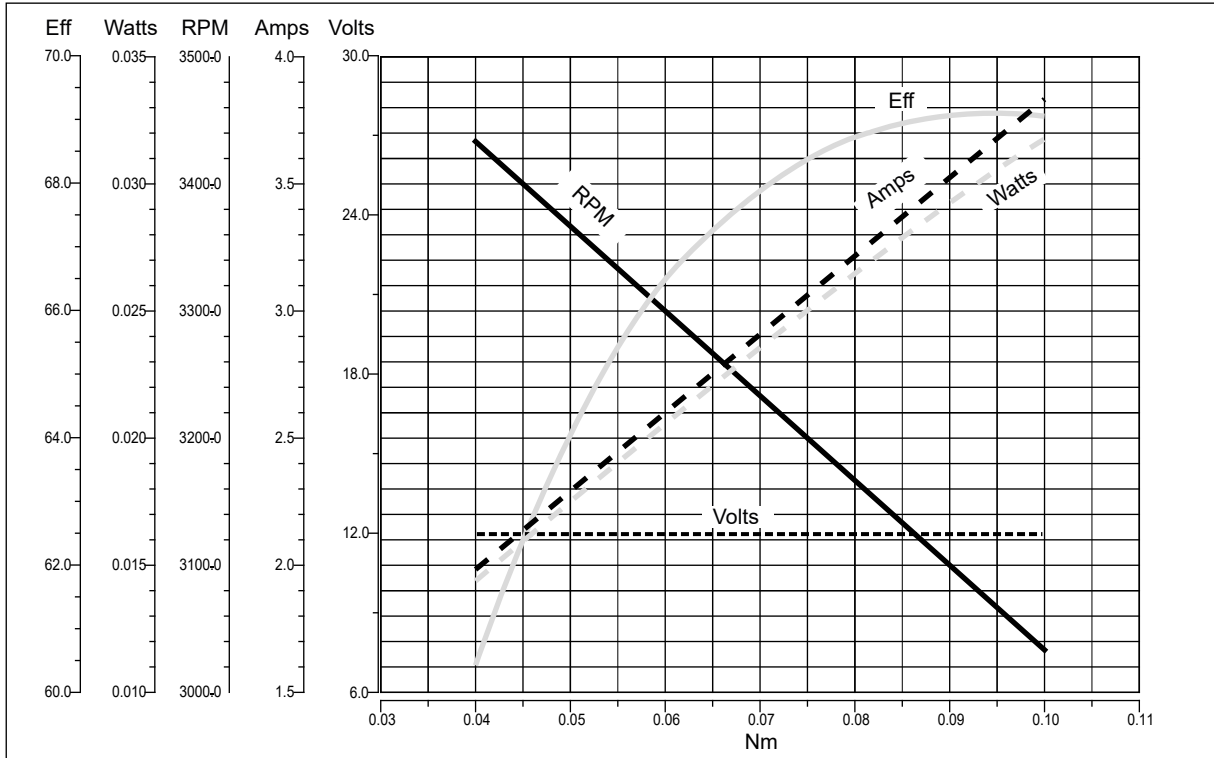
EC020.024-2W



TTB-EC020.012 - TTB-EC020.024-2W

Performance

TTB-EC020.012



TTB-EC020.024

